

ComicByte[®]
switch to GOD MODE

BLITZ

WIRELESS CONTROLLER



USER MANUAL

TECHNICAL SPECIFICATIONS

Input Voltage:	5V, 350mA
Working Voltage:	3.7V
Battery Capacity:	600mAh
Product Size:	155.5*103.7*59.8mm
Product Weight:	180 grams +- 10g



**600MAH
BATTERY**



**TURBO & AUTO
TURBO FUNCTION**



**UPTO 10 METERS
WIRELESS RANGE**



**1000HZ
POLLING RATE**



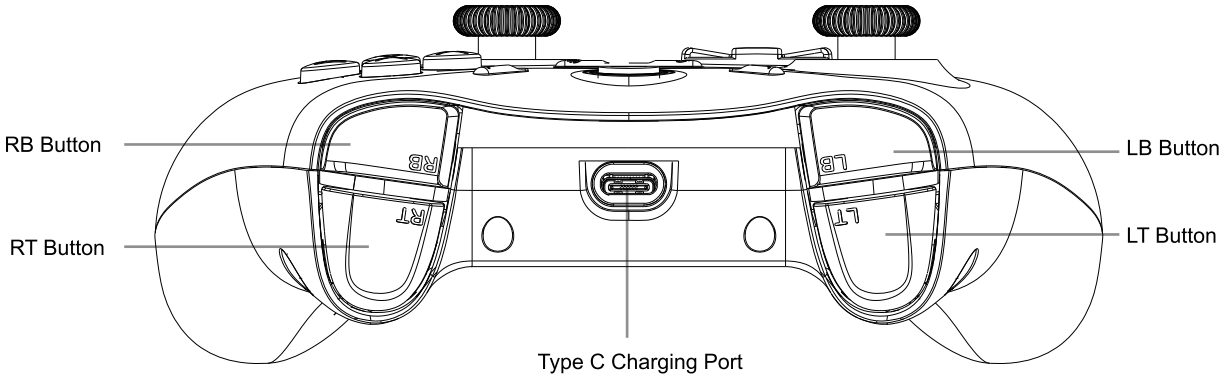
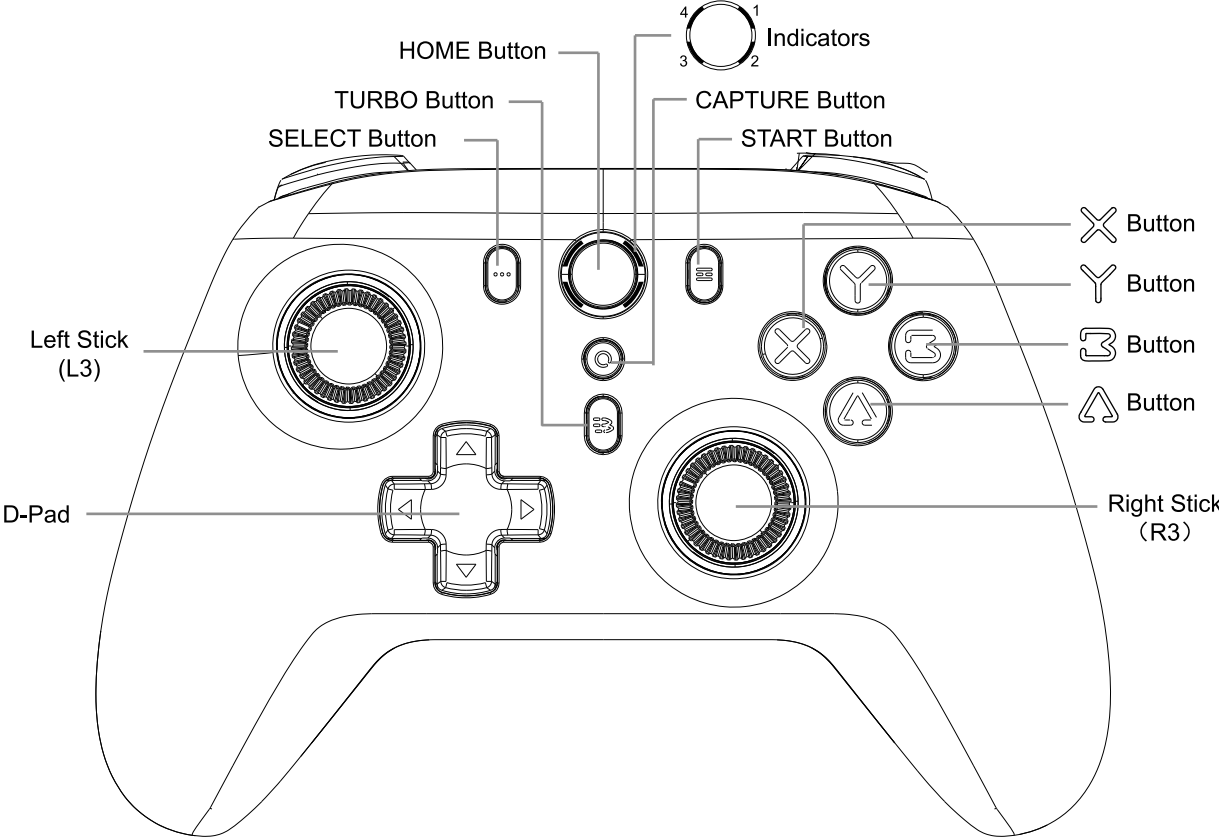
**VIBRATION
EFFECTS**



**HALL EFFECT
TRIGGER & JOYSTICK**



CONTROLLER DESIGN



HOW TO TURN ON THE CONTROLLER

Press the Home button for 3-5s to enter pairing mode. The LED will flash and the controller will pair with the dongle for the first time.

HOW TO TURN OFF THE CONTROLLER

MANUAL

Press the home button for 5 seconds to Turn Off the controller.

DISCONNECTED MODE

The controller's indicator LED blinks to search for a connection with the dongle. It automatically turns off if the connection is not found after 1 minute.

CONNECTED MODE

If the controller is connected to the dongle and no action is performed for 5 minutes, the controller will automatically turn off.

CONTROLLER CHARGING INDICATOR

CONNECTED MODE

When the controller is charging, the indicator lights, which show the connection mode, will blink slowly.

When the controller is fully charged, the indicator lights will remain steady. If no action is performed on the controller for 5 minutes, it will Turn Off.

DISCONNECTED MODE

When the controller is charging, all four indicator lights will blink slowly.

When the controller is fully charged, all four indicator lights remain steady. If no action is performed on the controller for 5 minutes, it will Turn Off.

CHARGING TIME AND BATTERY LIFE

The controller takes around 2-3 hours to charge completely.

Note: We recommend charging the controller using the included USB A to USB C cable by connecting it to the PC USB port or using a standard 5V/1A charger.

Charging the controller with fast and mobile chargers will damage it and void the warranty.

One full charge can provide 7-15 hours of usage, depending on the connection mode, vibration intensity, and LED lights.

BATTERY LEVEL INDICATOR

Press the Turbo and Start Button simultaneously to check the battery charge level.

1st LED indicator: 1-25% charge

1st and 2nd LED indicator: 26-50% charge

1st, 2nd and 3rd LED indicator: 51-75% charge

All Four LED indicators: 76-100% charge

EXCHANGE DPAD AND JOYSTICK FUNCTION

Press Start and L3 (Press the Left Joystick) simultaneously to exchange the D-pad and Joystick functions as required.

HOW TO USE THE CONTROLLER

CONNECTING THE CONTROLLER TO THE PC

WIRED MODE:

Connect the controller to the PC using the included cable. Press the Home button to start using the controller; otherwise, the controller will only charge.

The default connection for the controller is a USB Dongle. If you connect the controller to the dongle and the cable simultaneously, it will be connected to the dongle and charged using the cable.

WIRELESS MODE

X-INPUT

Connect the USB dongle to the PC

Press the Home button to turn on the controller. When connected to the dongle, the 1st and 2nd LED will stay on.

Note: Press the Home button for 2 seconds to connect to the dongle for the 1st time.

D-INPUT

Once connected to the dongle, press the Home button for 2 seconds to change to D-input mode. The 3rd and 4th LED indicators will stay on.

CONNECTING THE CONTROLLER TO ANDROID

Some devices, such as smartphones, tablets, smart TVs, and TV boxes, operate on the Android OS, so you can connect the controller to the devices that support Android gamepads.

Warning: Your Smartphone or Android Tablet must support OTG function and be equipped with an OTG converter. The Type-C OTG converter is not included with the controller.

Plug the USB dongle receiver to your Android device.

Press the Home button for 1 second.

The LED indicators flash. When the third LED remains on, your gamepad is connected to your Android device.

Now, in Gamepad mode, you can **switch into mouse mode** by pressing Capture and R3 simultaneously; the Third and Fourth LEDs will remain on.

TURBO FUNCTIONS

Keys available to be set to turbo function: A/B/X/Y/LB/RB/LT/RT Keys

ACTIVATE TURBO FUNCTION:

Press and hold the Turbo button and any function buttons to turn on the manual turbo function.

AUTO- TURBO

Press and hold the Turbo button and the function button with a turbo assigned to it to enable the auto turbo function.

CLEAR THE TURBO FUNCTION:

Press and hold the Turbo button, and then press the function buttons that have turned on the turbo to turn off the turbo function.

NOTE: Hold the "Turbo" and the "Select" buttons for 5 seconds. The controller will vibrate, which means it has cleared all buttons with the turbo set function.

TURBO SPEED

Slow: 5 shots, the corresponding LED indicators will flash slowly.

Medium: 12 shots, the corresponding LED indicators will flash at a medium speed.

Fast: 20 shots, the corresponding LED indicators will flash quickly.

ADJUSTING THE TURBO SPEED

INCREASE THE TURBO SPEED:

Press the Turbo button and pull the right joystick to the right to increase one grade of turbo speed.

DECREASE THE TURBO SPEED:

Press the Turbo button and pull the right joystick to the left side to decrease one grade of turbo speed.

NOTE: Hold the "Turbo" and the "Select" buttons for 5 seconds. The controller will vibrate, which means it has cleared all buttons with the turbo set function.

VIBRATION INTENSITY

There are four levels of vibration: None, Weak, Medium and Strong.

ADJUSTING THE VIBRATION INTENSITY:

Please connect the gamepad to the PC

Press the Turbo button and pull the right joystick Up to increase one grade of vibration intensity.

Press the Turbo button and pull the right joystick Down to decrease one grade of vibration intensity.

D-PAD SWITCH- 8 AND 4 DIRECTIONS

Note : The controller D-pad default is 8 directions.

Press Select and D-pad right button for 3 seconds to exchange between 4 and 8 directions.

Short Vibration is 4 directions

Long Vibration is 8 directions.

CALIBRATING THE JOYSTICKS

- Hold down L1 + SELECT while connecting the controller to the computer using the cable in wired mode.
- LED1 will flash slowly.
- Press the A button to enter calibration mode; at this point, LED2 will flash slowly.
- Move the joystick along the largest circle for three rotations, press each trigger thrice with normal force, and press the A button to complete the calibration.

POLLING RATE

The controller supports Upto 1000Hz in Dongle mode and Wired Mode.
Note: Polling rate is is more stable in Wired mode.

RESET CONTROLLER

If the controller is not functioning correctly during use, press and hold the HOME button for 8 seconds to force a reset.

LOCK CONTROLLER

Before packaging or storing the controller in a bag, it is necessary to lock the button wake-up feature to prevent power consumption due to button presses.

Press and hold the Select button and the Right Joystick down for 5 seconds until all four LEDs light up. This will lock the button wake-up feature, which can be unlocked by plugging in a USB charger.

SUPPORT DETAILS

Phone: 07969273222 (Mon-Sat 10:00AM to 6:00 PM)
Email: cc@thecosmicbyte.com
FAQ: support.thecosmicbyte.com

WARRANTY

The Controller carries 1 Year warranty against manufacturing defects only. Physical, Water damage and Tampered products are not covered under warranty. Regular wear and tear from battery usage is not covered under warranty.



Scan the QR code to know the Warranty Claim Procedure.

FAQ'S

support.thecosmicbyte.com